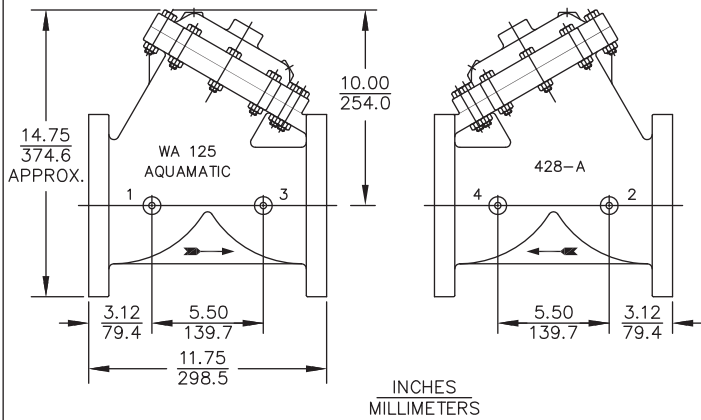


# 4" AIR VALVE - STANDARD MODEL



REPAIR PARTS KITS	
DESCRIPTION	PART NO.
DIAPHRAGM & SEALS KIT CONSISTS OF ITEM NO'S 3(2),5,6,8(2),9,14,16(2)	1070111 (AV8-RA) 1070521 (AV8-RAHT) INCLUDES INCLUDES DISC 1074571 (428-JH), DISC 1074572 (428-JT), DIAPHRAGM DIAPHRAGM 1074557 (428-FB) 1074559 (428-FV)
INT. PARTS KIT (NORM. OPEN) CONSISTS OF STANDARD ITEM NO'S 4,7,10,11,17,18,19,20	1070522 (AV8-RF)
SEAT (ITEM NO. 2)	1074585 (428-MAO)

FLANGE STYLE	A	B	C
AMERICAN	9.000	7.500	.750
METRIC	229 MM	180 MM	18 MM

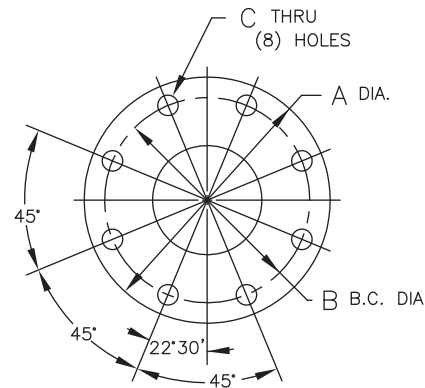
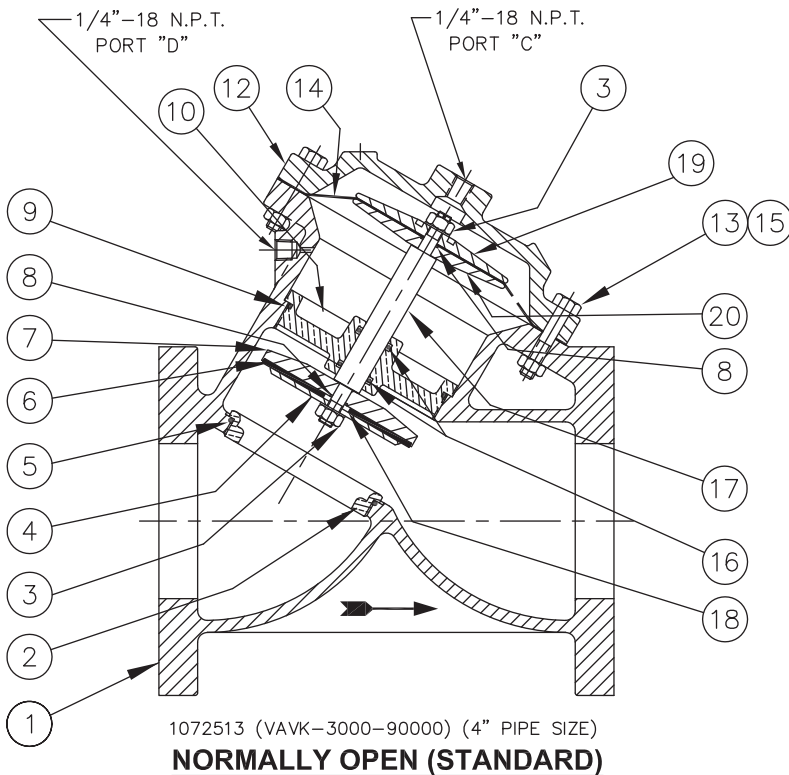
NO.	DESCRIPTION	STD	PART NO.	QTY.
1	BODY	CAST IRON	* 1074522 (428-A)	1
2	SEAT	BRASS	* 1074585 (428-MAO)	1
3	HEX NUT (3/8"-24)		* 3001990	2
4	DISC PLATE	BRASS	* 1074575 (428-KA)	1
5	O-RING	FKM	* 1071811 (ORV-156)	1
6	DISC	HYCAR	* 1074571 (428-JH)	1
		AFLAS		
		GLASS FILLED TEFLON	1074572 (428-JT)	
7	DISC HOLDER	BRASS	* 1074588 (428-NA)	1
8	O-RING	FKM	* 1071787 (ORV-012)	2
9	O-RING	FKM	* 1071832 (ORV-245)	1
10	SHAFT GUIDE	BRASS	* 1074560 (428-GAO)	1
12	CAP	CAST IRON	* 1074532 (428-C)	1
13	HEX SCREW 3/8"-16	PLATED STEEL	* 1072406 (SCZ-0027)	11
14	DIAPHRAGM	BUNA N	* 1074557 (428-FB)	1
		FKM	1074559 (428-FV)	
15	HEX NUT 3/8"-16	PLATED STEEL	* 1071658 (NUZ-0014)	11
16	O-RING	AFLAS	* 1071665 (ORA-210)	2
17	SHAFT (NORMALLY OPEN)		* 1074579 (428-LAA)	1
18	DISC SPACER	BRASS	* 1074565 (428-HA)	1
19	UPPER DIAPHRAGM PLATE		* 1074554 (428-DA)	1
20	LOWER DIAPHRAGM PLATE		* 1074555 (428-DAA)	1

**NOTE:**

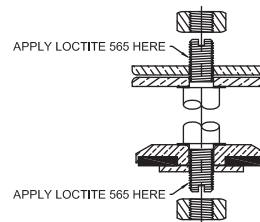
1. AMERICAN NATIONAL STANDARD TAPER PIPE THREADS (NPT) PER ANSI B2.1 - 1968
2. VALVES AVAILABLE WITH B.S.P.T. END CONNECTIONS.

SEE REVERSE SIDE FOR CONFIGURATION OPTIONS

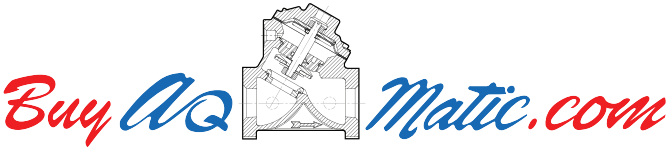
FORM NO. 1077640



AMERICAN FLANGE PER A.S.A. 16.1 CLASS 125  
METRIC FLANGE PER BS 4504, DIN 10 & ISO R 2084



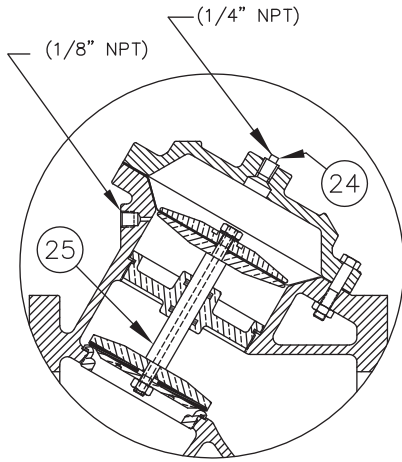
DO NOT APPLY TO O-RING SEALS



**SERIES AV8 DIAPHRAGM VALVE  
STANDARD MODEL**

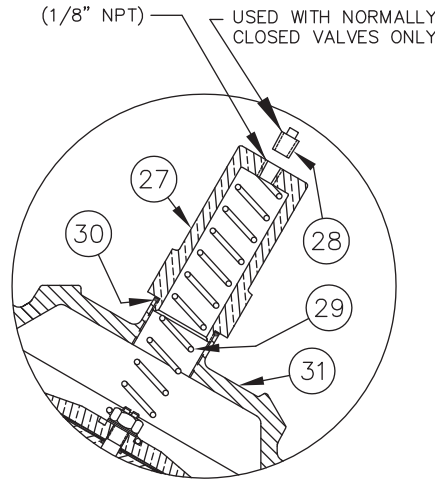
DRAWN	JWB	DATE	14MAY01	DRAWING NO.	1084044
-------	-----	------	---------	-------------	---------

# 4" AIR VALVE - OPTIONAL MODELS



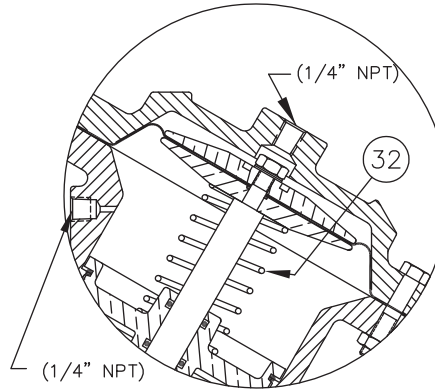
VAVK-3030-90000

## NORMALLY CLOSED



1072516 (VAVK-3002-90000)

## SPRING ASSIST CLOSED



1072514 (VAVK-3001-90000)

## SPRING ASSIST OPEN

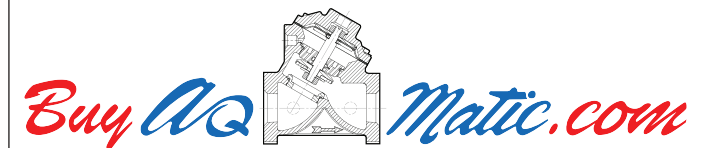
NO.	DESCRIPTION	STD	PART NO.	QTY.
<b>NORMALLY CLOSED MODEL</b>				
24	PIPE PLUG (1/4" N.P.T.)	PLATED STEEL	* 1071918 (PLZ-0008)	1
25	SHAFT (NORMALLY CLOSED)	*	1074582 (428-LLA)	1
<b>SPRING ASSIST CLOSED MODEL</b>				
27	RETAINER NUT	BRASS	* 1074609 (428-TT)	1
28	PIPE PLUG (1/8" N.P.T.)	BRASS	* 1071903 (PLB-0007)	1
29	SPRING	*	1074601 (428-SB)	1
30	O-RING	*	1071677 (ORB-025)	1
31	CAP	CAST IRON	* 1074540 (428-CC)	1
<b>SPRING ASSIST OPEN MODEL</b>				
32	SPRING	*	1074605 (428-SOA)	1

<b>REPAIR PARTS KITS</b>	
DESCRIPTION	PART NO.
INT. PARTS KIT (NORM. CLOSED) CONSISTS OF STANDARD ITEM NO'S 4,7,10,11,18,19,20,25	1070523 (AV8-RG)
INT. PARTS KIT (SPRING ASSIST CLOSED) CONSISTS OF STANDARD ITEM NO'S 29,30	1070524 (AV8-SC)
INT. PARTS KIT (SPRING ASSIST OPEN) CONSISTS OF STANDARD ITEM NO. 32	1070526 (AV8-SO)

<b>CONVERSION KITS</b>	
DESCRIPTION	PART NO.
CONVERSION KIT (SPRING ASSIST CLOSED) CONSISTS OF STANDARD ITEM NO'S 27 THRU 31	1070525 (AV8-SCC)
CONVERSION KIT (SPRING ASSIST OPEN) CONSISTS OF STANDARD ITEM NO. 32	1070526 (AV8-SO)

SEE REVERSE SIDE FOR  
STANDARD NORMALLY OPEN MODEL

FORM NO. 1077640



## SERIES AV8 DIAPHRAGM VALVE STANDARD MODEL

DRAWN	JWB	DATE	14MAY01	DRAWING NO.	1084044
-------	-----	------	---------	-------------	---------